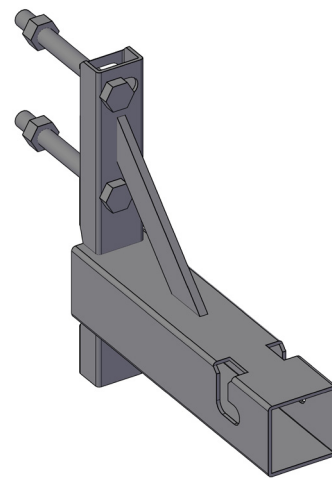
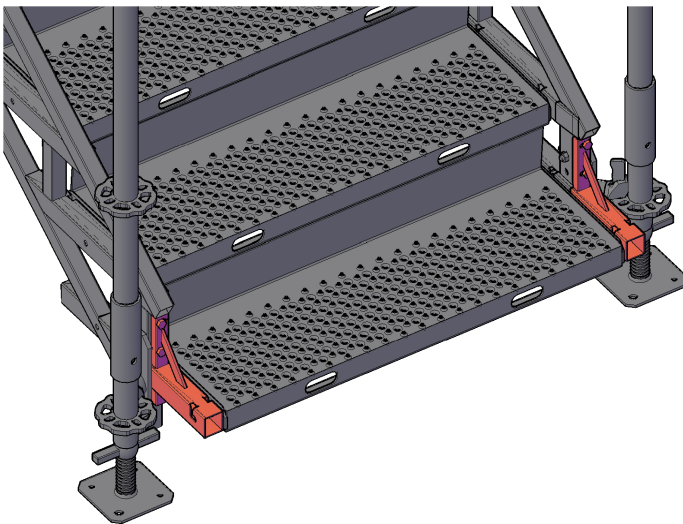


PRODUCT INFORMATION

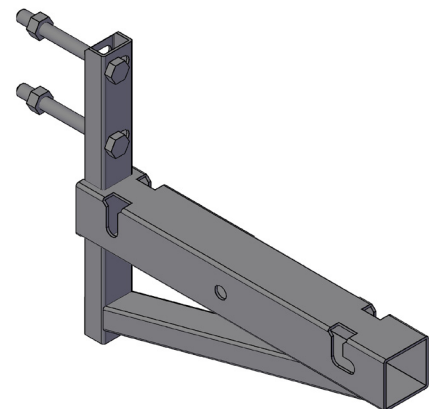
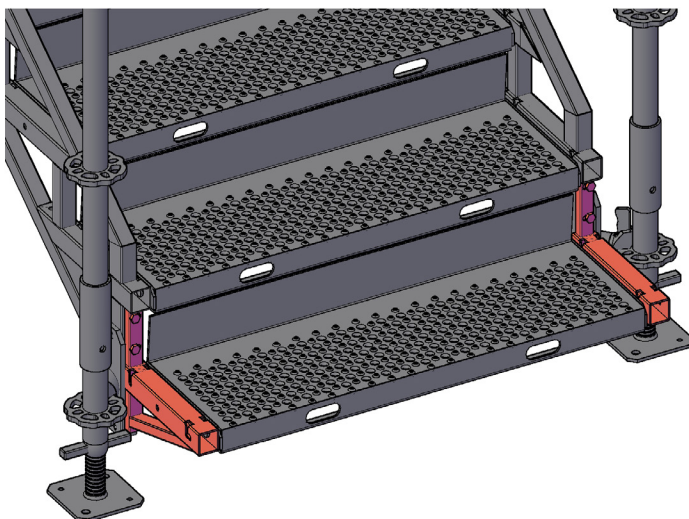
Adapter for Stair Stringer w/ additional Step W30

Adapter for optimizing the bottom step of the stair stringer H100/B30 and H200/B30 while maintaining the step size if entry without a platform is required. The lower platform ledger cannot be installed in this configuration. The stabilization of the scaffold standards must be ensured by a suitable construction.

Code	Description	Dimensions (cm)	PC	Weight
5FMPP56500	Adapter for Stair Stringer H100 w/ 2 screws M10*95 and nuts	W30		1,0 kg
5FMPP56501	Adapter for Stair Stringer H200 w/ 2 screws M10*95 and nuts	W30		1,9 kg



Adapter 5FMPP56500 for stair stringer H100/B30 with kickboard above. The lowest level is shifted forward.



Adapter 5FMPP56501 for stair stringer H200/B30 with additional brace. For an additional step down.

Dimensions in mm /Errors and technical changes reserved.