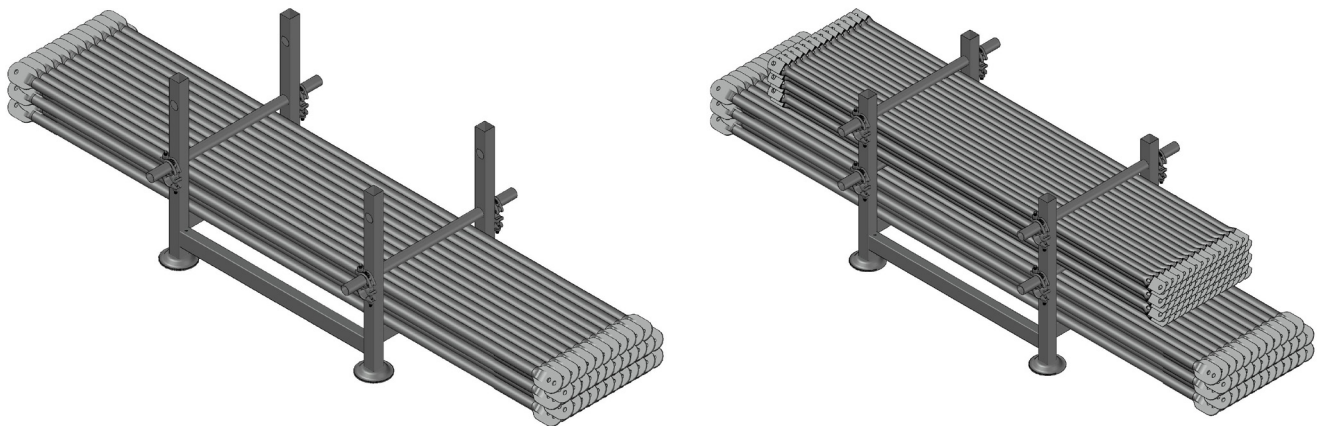


# PRODUCT INFORMATION

## Pallet for tubes w/ additional holes FOR TWO COMPARTMENTS

For intermediate compartments w/ additional holes to accomodate scaffolding tubes up to a diameter of 48,3 mm.

Code	Description	Dimensions (cm)	LC	PC	Weight
5FA2003600	Pallet for tubes w/ additional holes	L110, W60, H93			



Errors/Fallacy and technical changes reserved. Tubes and couplers are not included.